

FORD F-53/F-59

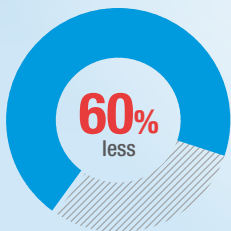
6.8L V10 | Stripped Chassis

Propane Autogas Fuel System

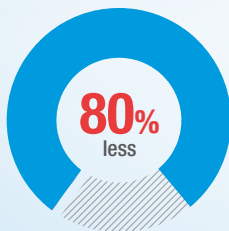


REDUCE YOUR EMISSIONS

Propane Autogas vs. Diesel



Nitrogen Oxide

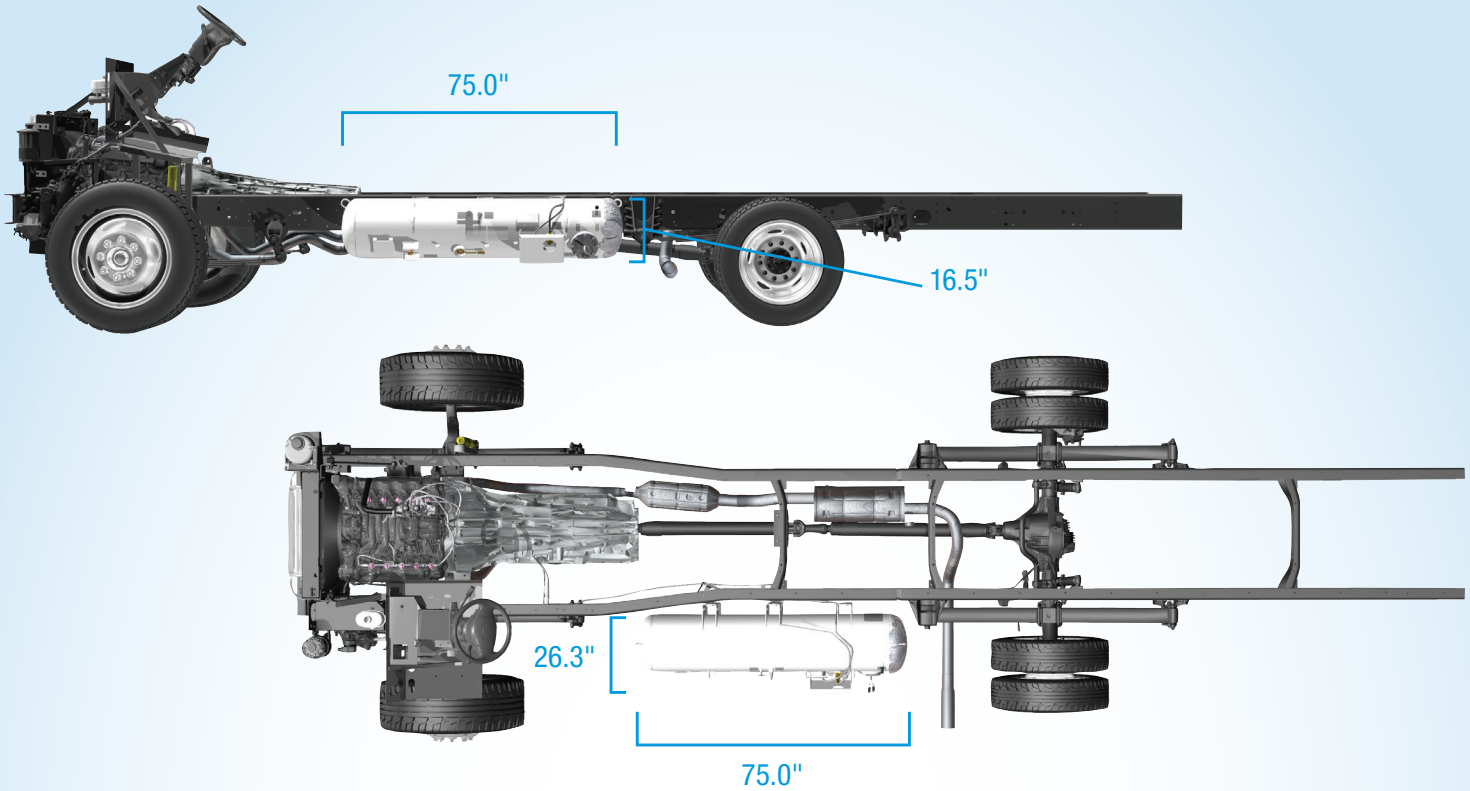


Hydrocarbons



Particulate Matter

FORD F-53/F-59 | 6.8L V10



Single Saddle Tank

| | |
|-------------------------|-------------------|
| Capacity | 45 usable gallons |
| Length | 75.0" |
| Width | 26.3" |
| Height | 16.5" |
| Number of Tanks | 1 |
| Tank Location | Driver side |
| Assembled Weight | 275 lbs. |

General Specifications

| | |
|---------------------------------|------------------------------|
| Model Year | 2016 |
| Engine | 6.8L V10 |
| Horsepower | 320 @ 4,000 rpm |
| Torque | 460 @ 3,000 rpm |
| Transmission | 6-speed TorqShift® automatic |
| Gaseous Prep Engine Code | 98G |
| GVWR | Up to 22,000 lbs |

Compliance

| | |
|----------------|-----|
| EPA | Yes |
| CARB | Yes |
| FMVSS | Yes |
| NHTSA | Yes |
| NFPA-58 | Yes |



Please contact ROUSH CleanTech at 800.59.ROUSH to learn more about vehicle and fuel system configurations before ordering.

SERVICE & WARRANTY: Vehicles powered by a ROUSH CleanTech propane autogas fuel system maintain Ford's standard OEM factory warranty.

Easy Order to Delivery Process

- 1 ORDER THE VEHICLE**
- 2 ORDER THE FUEL SYSTEM**
- 3 FORD BUILD PROCESS**
- 4 PROPANE AUTOGAS SYSTEM & BODY INSTALL**
- 5 VEHICLE DELIVERY**