



DISTRIBUTION & SERVICES

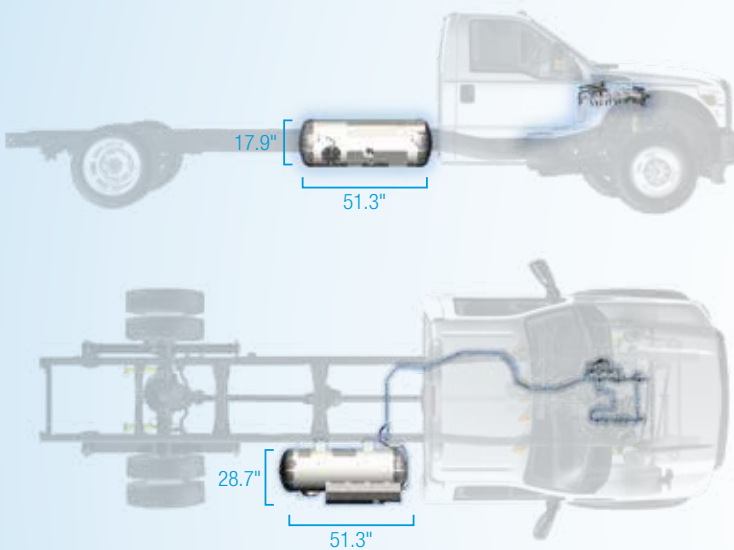
Propane Autogas



PRODUCTS AVAILABLE



Ford F-450 / F-550 2016MY – 2019MY 6.8L V10



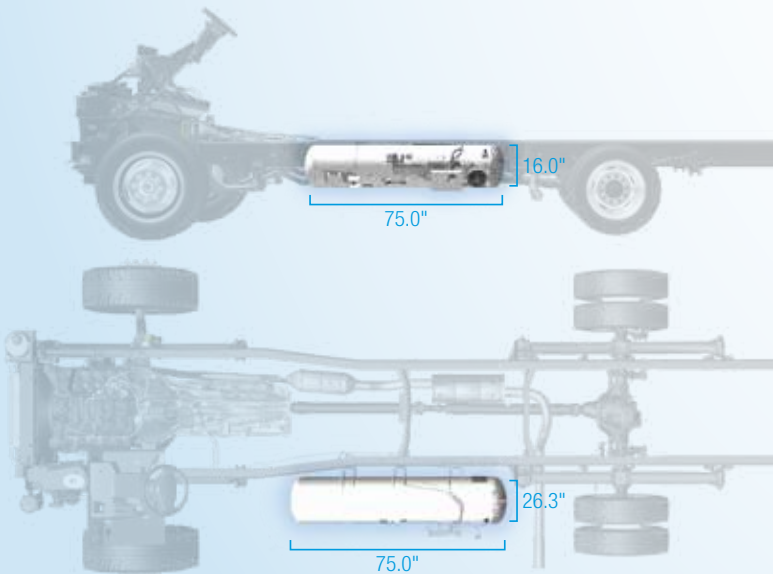
FUEL SYSTEM

Capacity	35 usable gallons
Length x Width x Height	51.3" x 28.7" x 17.9"
Number of Tanks	1
Tank Location	Passenger Side
Incremental Weight	225 lbs [‡]
Horsepower	288 hp at 4,000 rpm*
Torque	424 ft-lbs at 3,000 rpm*
Transmission	TorqShift® 6-speed automatic
Gaseous Prep Engine Code	98G
GVWR	Up to 19,500 lbs

CHASSIS SPECS

For additional range, ROUSH CleanTech offers a 65 usable gallon tank option.

Ford F-53 / F-59 2016MY – 2019MY 6.8L V10



FUEL SYSTEM

Capacity	45 usable gallons
Length x Width x Height	75.0" x 26.3" x 16.0"
Number of Tanks	1
Tank Location	Driver side
Incremental Weight	196 lbs [‡]
Horsepower	320 hp at 3,900 rpm*
Torque	460 ft-lbs at 3,000 rpm*
Transmission	TorqShift® 6-speed automatic
Gaseous Prep Engine Code	98G
GVWR	Up to 22,000 lbs

CHASSIS SPECS

For additional range, ROUSH CleanTech offers a 65 usable gallon tank option.

*These numbers might change without notice. [‡]The Incremental Weight is the delta between a full propane tank versus a full gasoline tank.

Ford F-650 / F-750

2016MY – 2019MY 6.8L V10

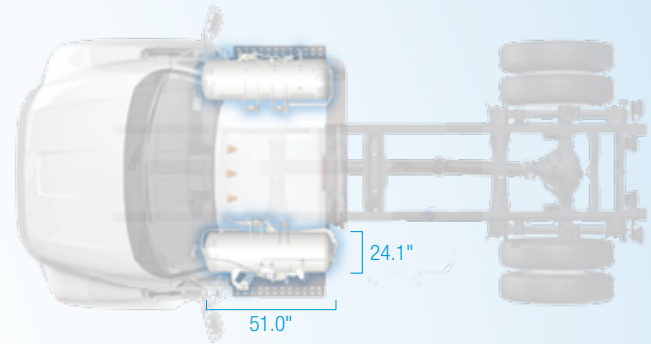
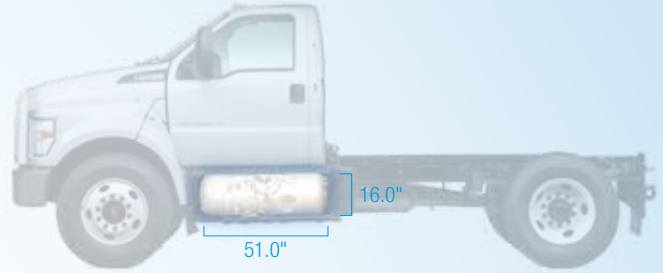


FUEL SYSTEM

Capacity	54 usable gallons
Length x Width x Height	51.0" x 24.1" x 16.0"
Number of Tanks	2
Tank Location	Driver side and passenger side
Incremental Weight	394 lbs [†]

CHASSIS SPECS

Horsepower	320 hp at 3900 rpm*
Torque	460 ft-lbs at 3000 rpm*
Transmission	TorqShift® 6-speed automatic
Gaseous Prep Engine Code	98G
GVWR	Up to 33,000 lbs



FUEL SYSTEM

Capacity	50 usable gallons
Length x Width x Height	86.0" x 24.1" x 16.0"
Number of Tanks	1
Tank Location	Driver side
Incremental Weight	367 lbs [†]

Chassis Specs: Same as above.

For those looking for more range, additional options are available with long/short tanks (approximately 75 usable gallons).



Ford E-350 / E-450

2016MY – 2019MY 6.8L V10

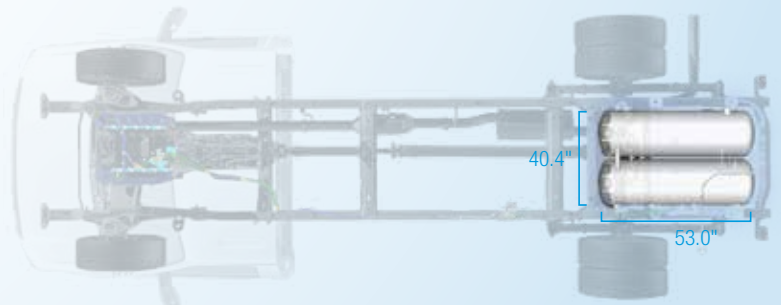
FUEL SYSTEM

Capacity	64 usable gallons
Length x Width x Height	53.0" x 40.4" x 16.0"
Number of Tanks	1
Tank Location	Aft-Axle (rear)
Incremental Weight	398 lbs [†]

CHASSIS SPECS

Horsepower	305 hp at 4,250 rpm*
Torque	420 ft-lbs at 3,250 rpm*
Transmission	TorqShift® 6-speed automatic
Gaseous Prep Engine Code	98 I
GVWR	Up to 14,500 lbs

Also available on stripped chassis. A smaller, 41 usable gallon tank is offered as well.



DO YOU RECOGNIZE THESE DIESEL COMPONENTS?



ALL ARE ELIMINATED WHEN YOU SWITCH TO PROPANE

Applications / Vocations

- Freight (Dry & Refrigerated)
- Step Vans
- Shuttles
- Food & Beverage
- Service
- Building Materials
- Dump
- Utility
- Aerial Lift
- Airport Catering
- Towing
- Refuse

Partners



and many more...

Questions & Orders

Joe Rudolph
joe.rudolph@roush.com
317-407-8696

Dylan Kyle
dylan.kyle@roush.com
313-590-8761