

**To:** ROUSH CleanTech Authorized Service Centers  
ROUSH CleanTech Fleet Service Centers

Date: 11/13/2018

**Subject:**  
Power eyelet inspection

**Applicable Model(s)/VINs:**  
2016-2017 F-650/750 with dual tank propane fuel system

**Description:**  
Power eyelets should be inspected at the under-hood distribution block to ensure they are offset from each other or on separate terminals.

- Procedure:**
1. Locate the ROUSH CleanTech power eyelets on the under-hood distribution block
  2. Verify that eyelets are offset from each other or on separate terminals (see figure 1 & 2).
  3. If they are aligned with each other (figure 3) remove the M8 nut securing eyelets and relocate one to another terminal (if a free terminal is available) or offset them (figure 2)
  4. Re-install M8 nut and torque to 5Nm 44 lb-in.

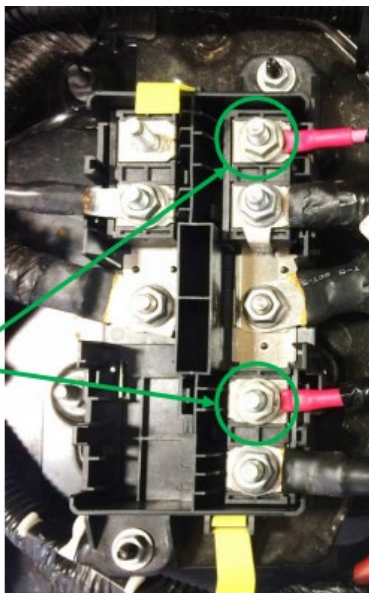


Figure 1  
CORRECT

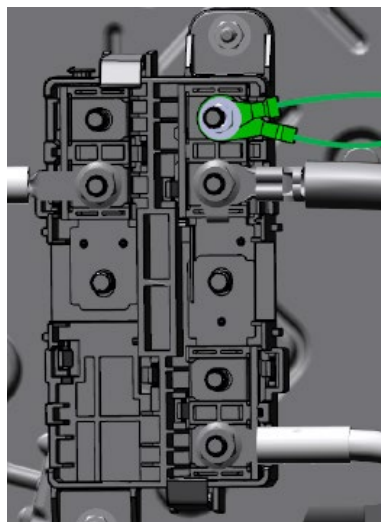


Figure 2  
CORRECT



Figure 3  
INCORRECT

## Part(s) Information

Part Number	Description	Qty
n/a	n/a	

## Warranty Information

If adjustment to the power eyelets needs to be made you can file for warranty reimbursement.

Labor Operation Code	Standard Labor Time
RCTE02A	0.3 hrs

## Questions/Assistance:

ROUSH CleanTech Customer Service  
1-800-59-ROUSH (800-597-6874), opt 2  
support@roushcleantech.com